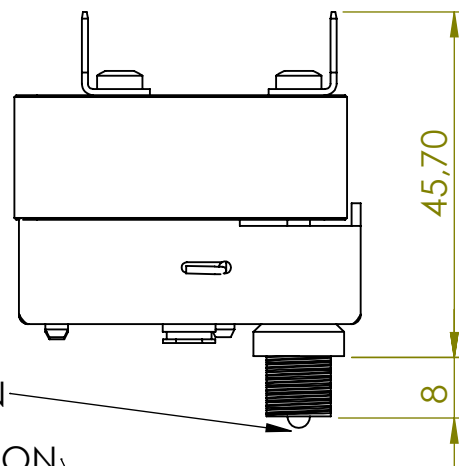
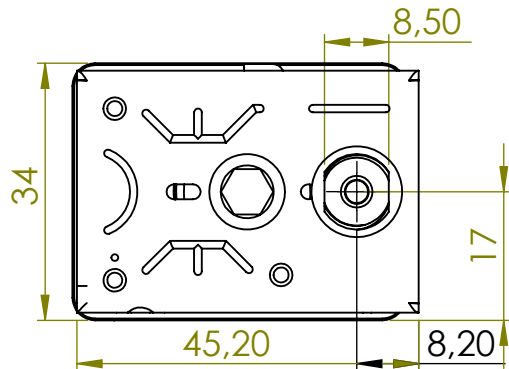


### TECHNICAL DATA

-MIN CAPILLARY BENDING RADIUS 5mm  
 -CALIBRATION AND TEST IN LIQUID AGITATED BATH  
 -SETTING TEMPERATURE :335°C ± 15°C  
 WITH THERMOSTAT AT ROOM TEMPERATURE

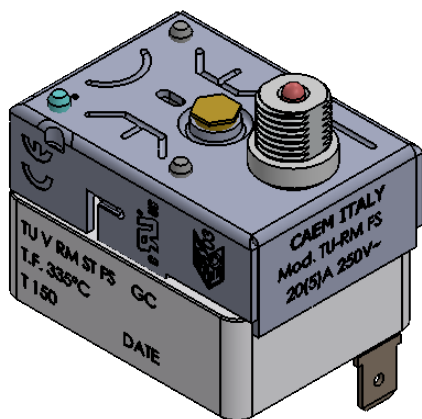
-THE CONTACT OPEN IF THE SENSOR LEAKS OR IF THE TEMPERATURE OF COMPLETE THERMOSTAT DROPS BELOW 0°C  
 IN THIS CASE THE SENSOR TEMPERATURE MUST BE INCREASED TO 20°C AND THE CONTACT CLOSE AGAIN. IT IS NOT NECESSARY TO PRESS THE RESET BUTTON  
 -WHEN THE TERMINAL CUT-OUT REACHS THE SETTING TEMPERATURE,CONTACTS SWITCH OFF.  
 TO RESET PRESS THE RESET BUTTON AFTER SUFFICIENT COOLING OF THE SENSOR.

-MIN. TEMPERATURE ON BULB : -10°C  
 -MAX. TEMPERATURE ON BULB : 350°C  
 -MAX TEMPERATURE ON THE HEAD :150°C  
 -ACTION TYPE : 2AKN (EN 60730-2-9:2010)  
 -INSULATION CLASS : II  
 -CORRECTION FACTOR:C= -0.5 (K/K)  
 -LOW VOLTAGE DIRECTIVE : 2014/35/UE  
 -APPROVALS : ENEC : 20(5)A 250V~  
 UL CSA : 20A 250V ~  
 -TESTED CURRENT AND VOLTAGE TO 100% (180mA-19mV)

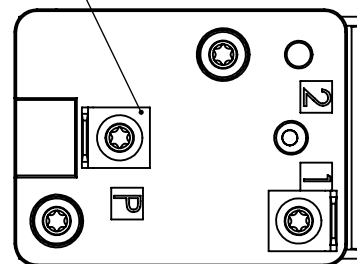
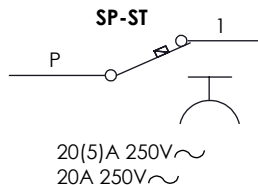


RESET BUTTON

TERMINAL "V" VERSION



### ELECTRIC DIAGRAM (SINGLE POLE - SINGLE THROW)



### NOTE:

DELIVERY WITH SEPARATE PLASTIC CAP-METALLIC NUT

## THERMAL CUT-OUT TU V RM ST FS T.F.335°C G.C. COMTHERM

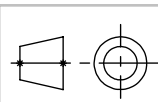
TOLLERANZE GENERALI DI LAVORAZIONE  
 PER DIMENSIONI SENZA INDICAZIONE  
 General machining tolerances for  
 dimensions without indication

H11 FORO/hole h11 ALBERO/shaft  
 TOLLERANZE GENERALI UNI ISO 22768-1  
 Classe di Tolleranza Media - f

TOLLERANZE PER SUPERFICI LAVORATE  
 Tolerances for machined surfaces

0.05
0.05

  
 Via Rivera 106/108  
 10040 ALMESE (TO) ITALY



SCALA : 1:1  
 FORMATO: A4

DATA : 10-2-2021

REV.: -

DISEGNO N°  
**LP7547**

DIS. DA: ENRICO BEVIONE

MATERIALE : -

VISTO DA: -

FINITURA : -

A TERMINI DI LEGGE CI RISERVAMO LA PROPRIETA' DEL PRESENTE DISEGNO CON DIVIETO DI USO E RIPRODUZIONE  
 UNDER THE TERMS OF LAWS WE RESERVE THE PROPERTY OF THIS DRAWING WITH PROHIBITION OF USE AND DUPLICATION